

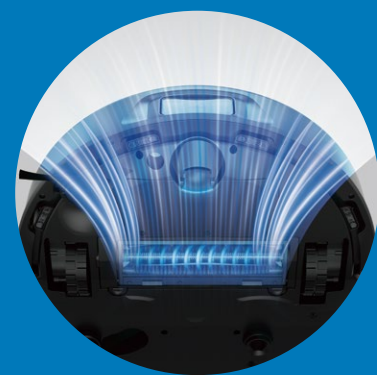
tapo

Robot Vacuum & Mop + All-in-One Dock

Tapo RV50 Pro Omni



Before connecting to the Matter app, users need to set up the product in the Tapo app.



15000Pa
Superb Suction



DeepEdge
Adaptive Mopping



Auto-Mop
Removal



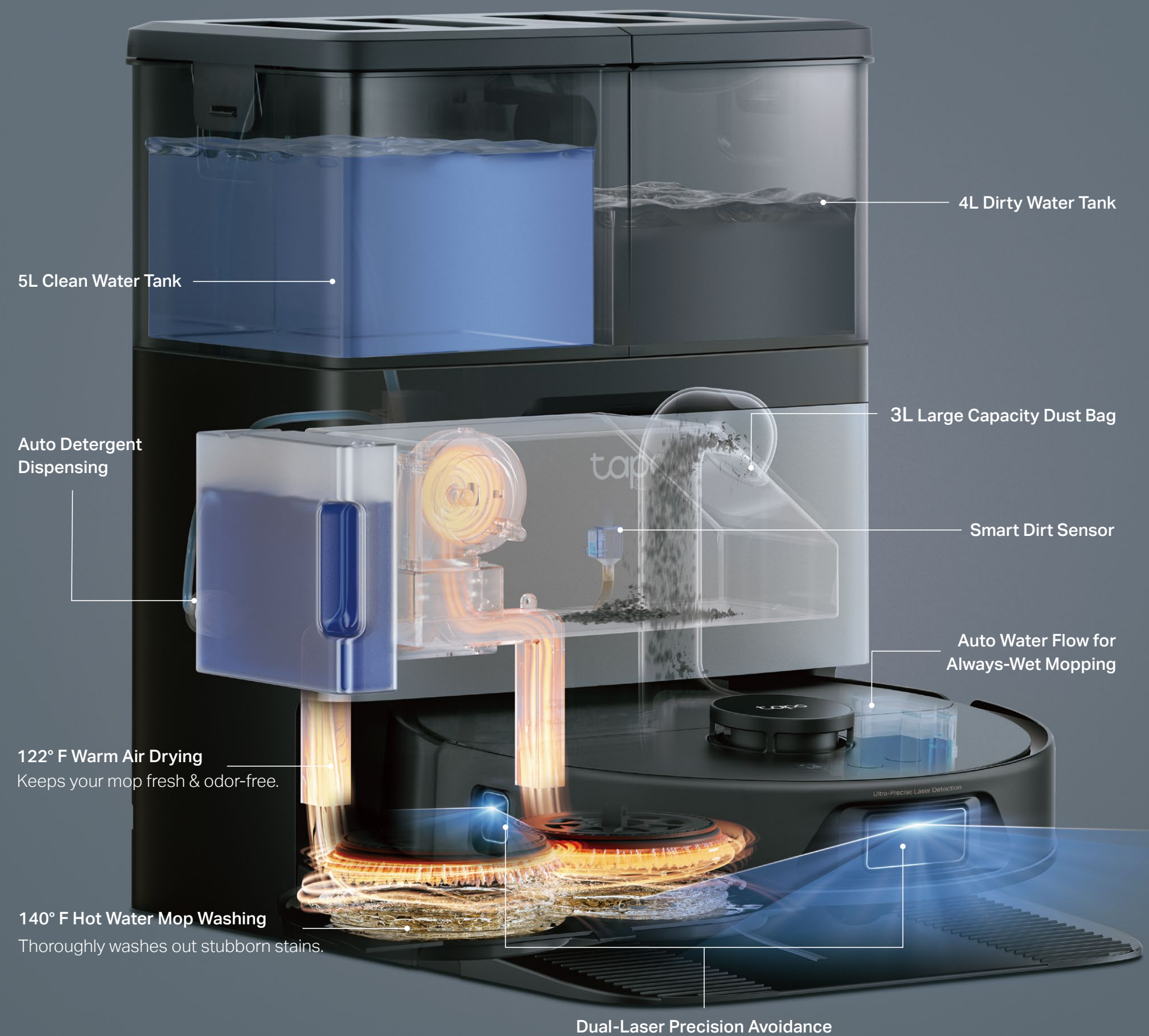
Automatic
Detergent Dispenser

// Highlights

Effortless, Hands-Free Cleaning—Every Time

The Self-Cleaning Docking Station handles mop washing, drying, dust disposal, and detergent refills for you.

Maintenance-Free Omni Station



// Highlights

140°F **Hot Water Mop Washing**

Cleans stubborn stains from mop pads with hot water—no scrubbing required.



122°F **Warm Air Drying**

Dries mops automatically to speed up maintenance and prevent odors.

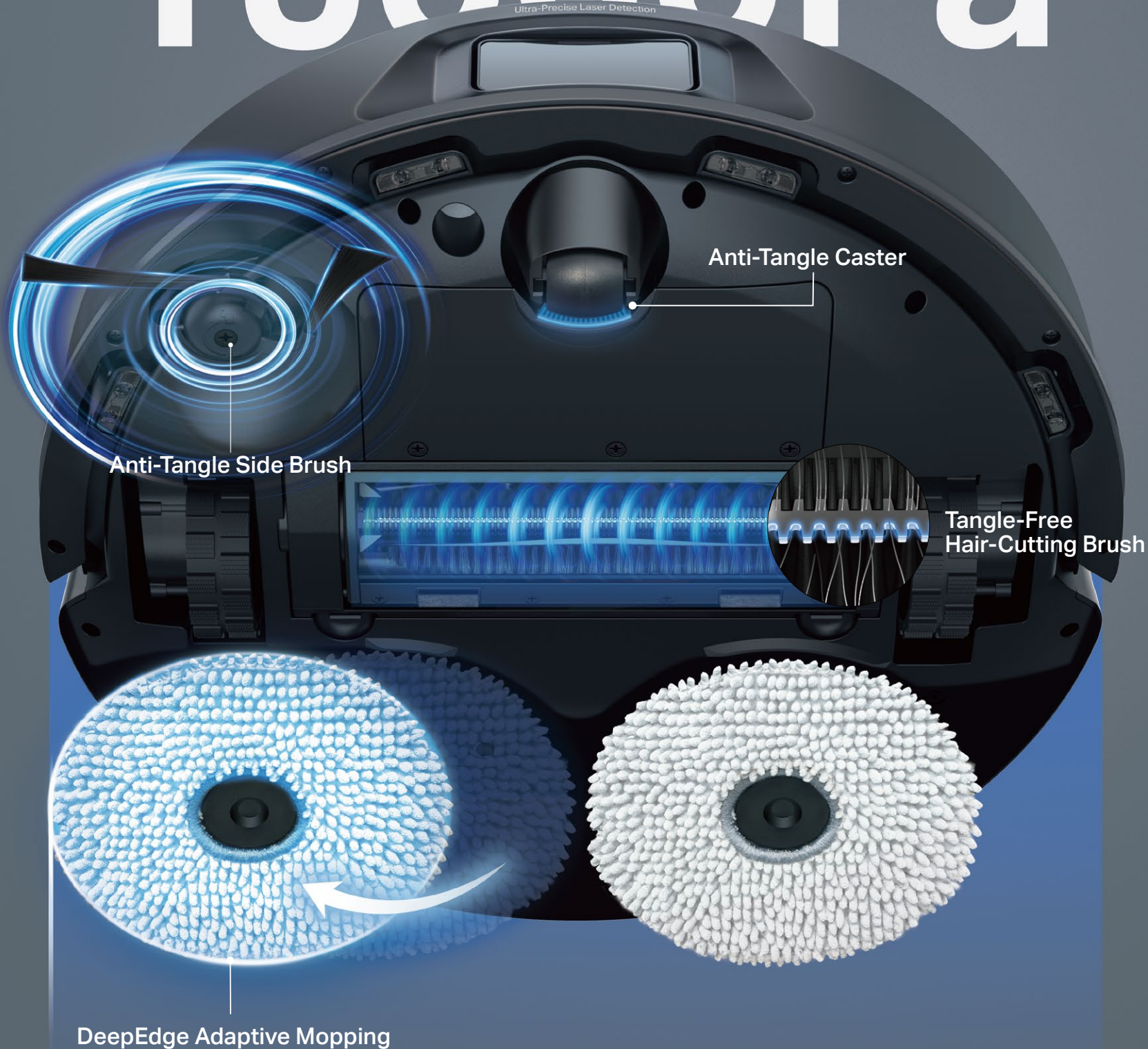


// Highlights

Outstanding Vacuuming Efficiency

Powerful 15,000Pa suction easily removes embedded dirt. Picks up everything in one pass.

15000Pa



// Highlights



Tangle-Free Cutting Brush

Cuts away wrapped hair only when at the base station – protecting carpets and pets while vacuuming.

Anti-Tangle Caster

Built to keep rolling—resists hair buildup and keeps performance consistent.

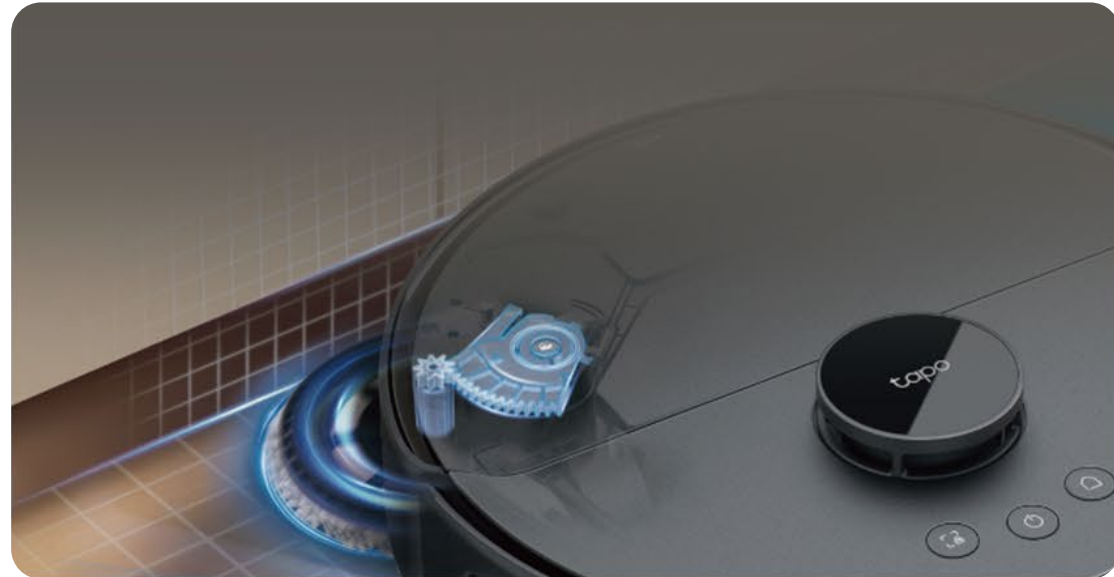


Anti-Tangle Side Brush

Unique spin pattern sheds hair before it tangles.



// Highlights

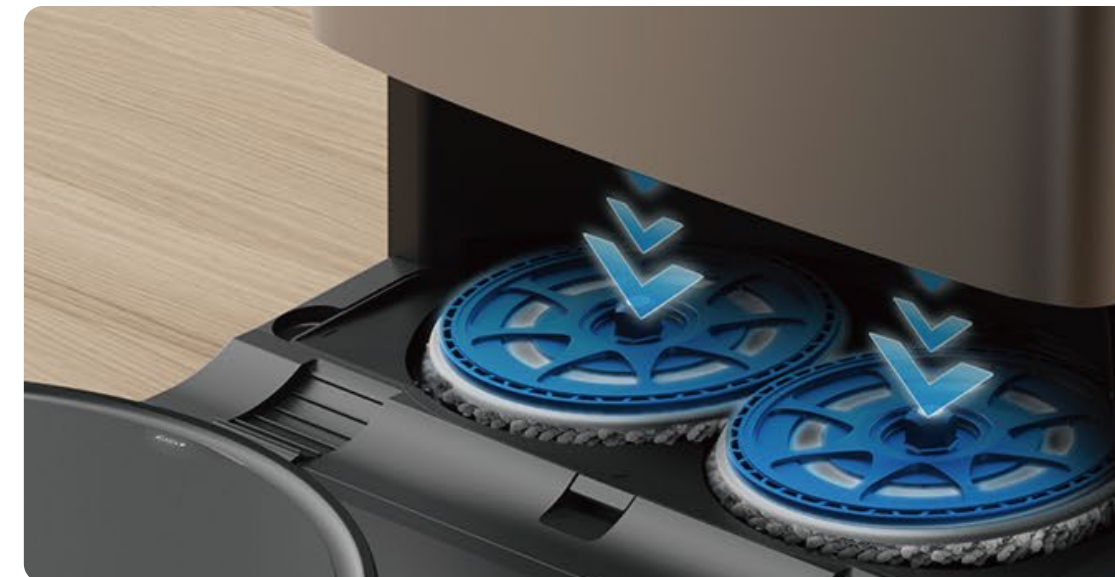


DeepEdge Adaptive Mopping

The robotic mop arm automatically extends to clean where others miss—tight spaces, edges, and beyond.

Auto-Mop Removal

Completely removes mops when cleaning high pile carpets.



Auto-Mop Lifting

Lifts mop when moving over short pile carpets to prevent wet mops touching the surface.

// Highlights

Sees More, Avoids More

Dual-Laser Precision Avoidance uses both front and side lasers to detect obstacles in real time—minimizing bumps, protecting furniture, and keeping the robot on a smooth, efficient path.

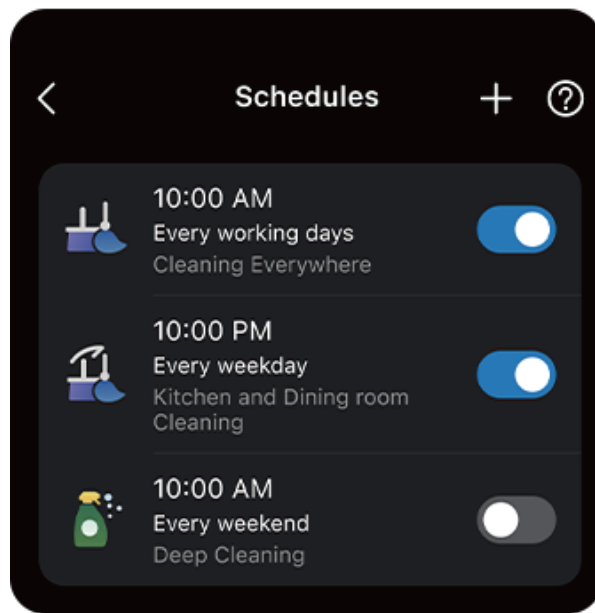
Extends Farther, Cleans Deeper

DeepEdge Adaptive Mopping extends the mop pad outward to cover edges and corners, ensuring dirt and dust aren't left behind.



// Highlights

Tap, Set, and Let Tapo Handle the Rest



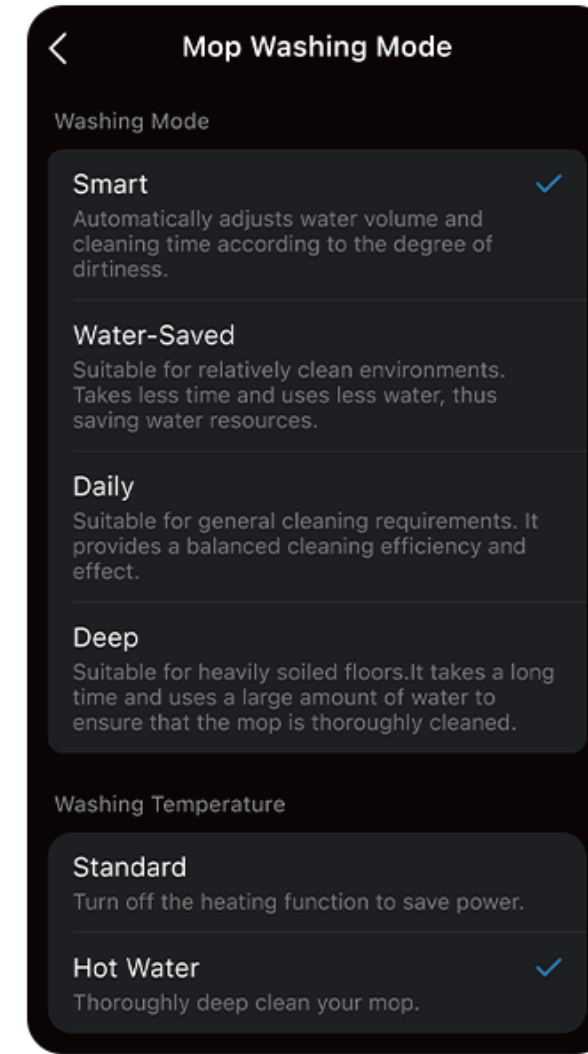
Child/Pet Lock



Post-Meal Cleaning



Selected Room Cleaning



Multiple Mopping Preferences



Custom No-Go Zones

// Specifications

Care and Maintenance

To maintain optimal performance, maintain the robot vacuum according to the following guidelines.

Part	Maintenance Frequency	Replacement Frequency*
Dustbin	Clean/wash as needed	/
Filter	Once a week	2-4 months
Sponge Filter	/	2-3 months
Main Brush	Every 2 weeks	6-12 months
Main Brush Cover	Every 2 weeks	6-12 months
Side Brush	Once a month	3-6 months
Dust Bag	/	Replace when full
Mop Cloth	Auto-wash & dry	2-3 months
Caster Wheel	Clean as needed	/
Main Wheels	Once a month	/
Sensors	Once a month	/
Charging Contacts	Once a month	/

*Replacement frequency may vary depending on the actual situation. Parts should be replaced if visible wear appears.

// Specifications

Navigation & Obstacle Avoidance

- Navigation: dToF
- Obstacle Avoidance: Dual-laser precision avoidance
- High-Precision Map: Yes
- Carpet Detection: Yes
- Barrier-Cross Height: 20 mm/0.79 in
- Anti-Drop Protection : Yes (4 sensors)

Dock Features

- Auto Dust Collection: Yes
- Suction Power of Auto-Empty Dock: 17000 Pa
- Dust Bag Capacity: 3 L
- Clean Water Tank Capacity: 5 L
- Dirty Water Tank Capacity: 4 L
- Tank Deodorizing System: Yes
- Auto Detergent Dispensing: Yes
- Hot Water Mop Washing: Yes (60°/140°F)
- Warm Air Drying: Yes (50°/122°F)
- Mop Auto-Removal: Yes
- Smart Dirt Detection: Yes

Vacuumping Features

- Max Suction Power: 15000 Pa
- Suction Level: 5 levels
- Dustbin Capacity: 280 ml
- HEPA Filter: H11
- Main Brush: Tangle-free hair-cutting brush
- Anti-Tangle Caster: Yes
- Anti-Tangle Side Brush: Yes
- Carpet Boost: Yes
- Cleaning Routes: 3 levels

Mopping Features

- Wet Mopping : Yes
- DeepEdge Adaptive Mopping: Yes
- Mop Lifting: 12 mm
- Mop Extend: Yes
- Water Tank Capacity (Robot Vacuum): 95 ml
- Water Level Adjustment: 3 levels
- Carpet Avoidance: Yes

Battery

- Battery Capacity : 5200 mAh
- Recharge & Resume: Yes

Specifications

App Features

- Real-Time Tracking: Yes
- Multi-Floor Mapping: Yes
- 3D Maps: Yes
- Scheduled Cleaning: Yes
- Selected Room Cleaning: Yes
- Virtual Walls: Yes
- No-Go Zones: Yes
- Zone Cleaning: Yes

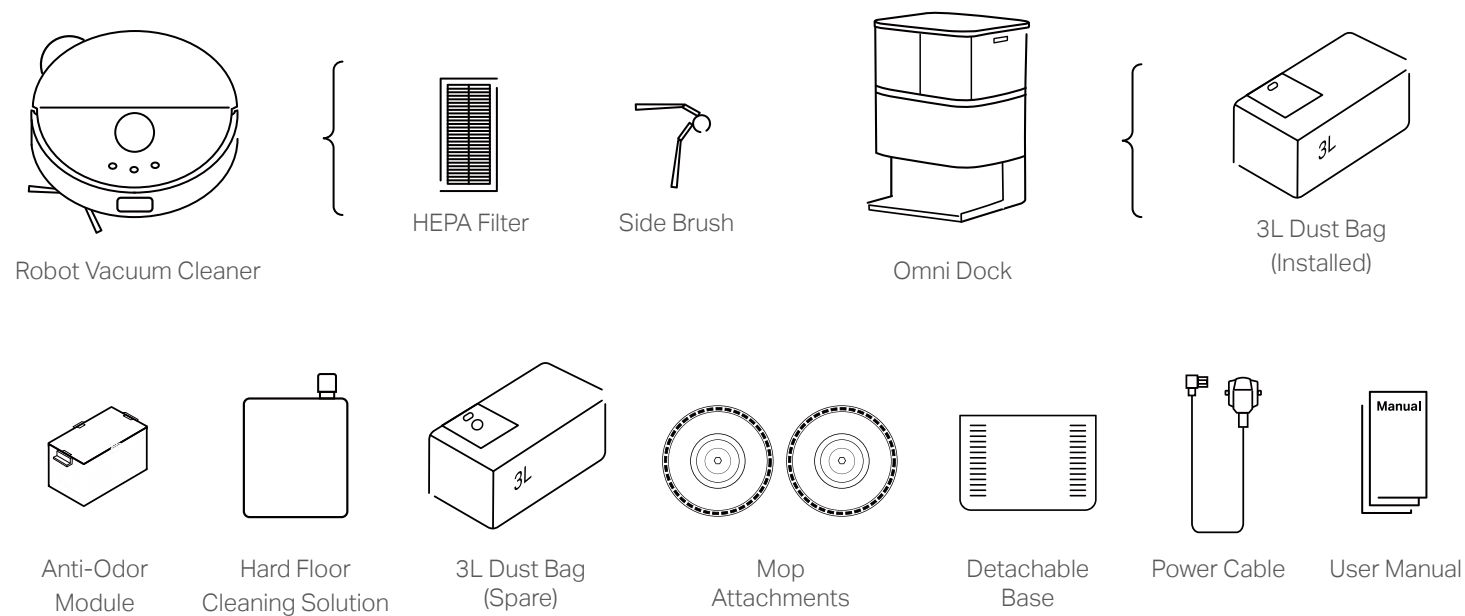
Physical

- Product Dimensions:

Robot Vacuum: $\Phi 350 \times 100.3$ mm ($\Phi 13.8 \times 3.95$ in)

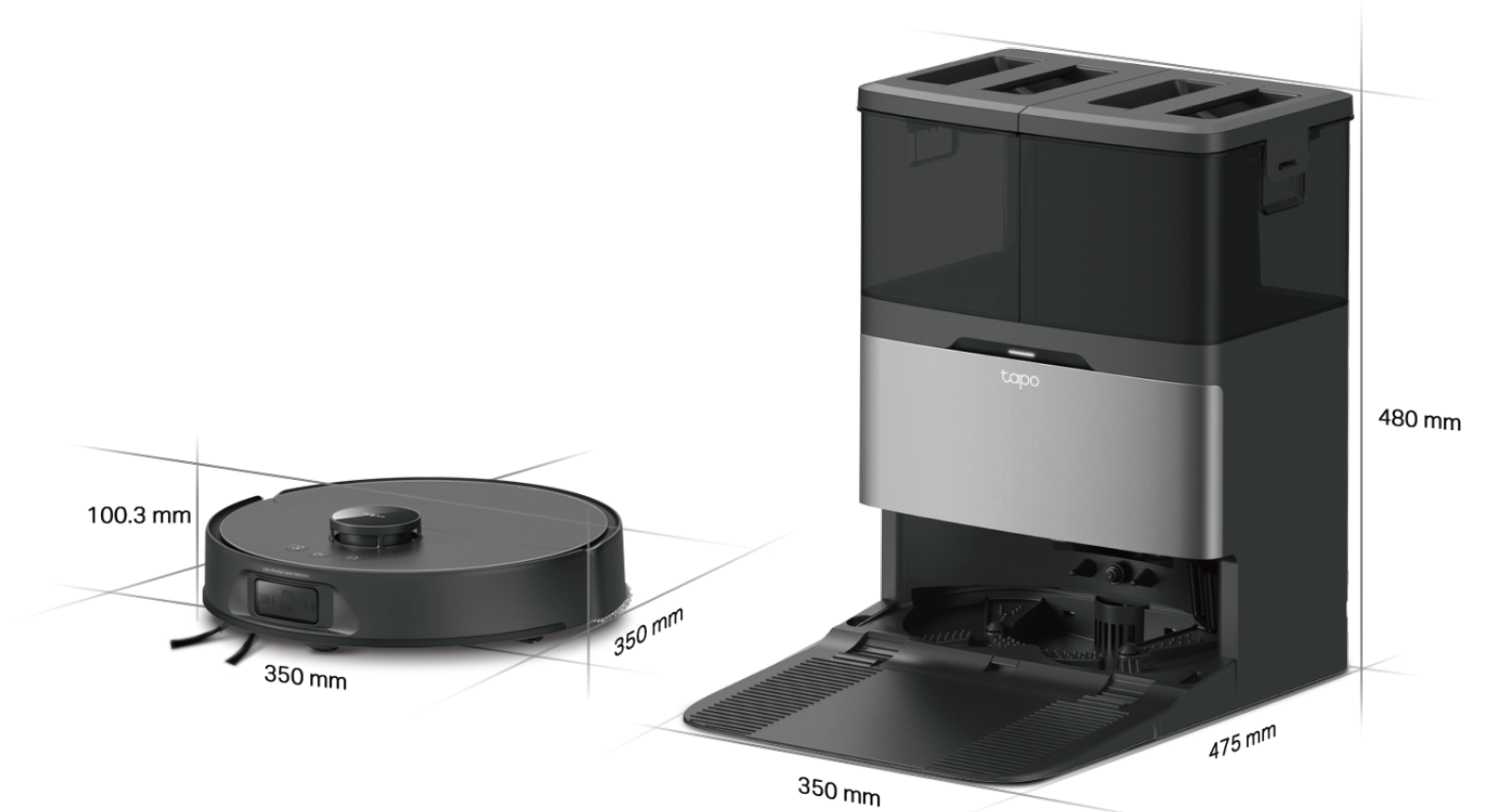
All-in-One Dock: $480 \times 350 \times 475$ mm ($18.9 \times 13.8 \times 18.7$ in)

- Package Contents:



Others

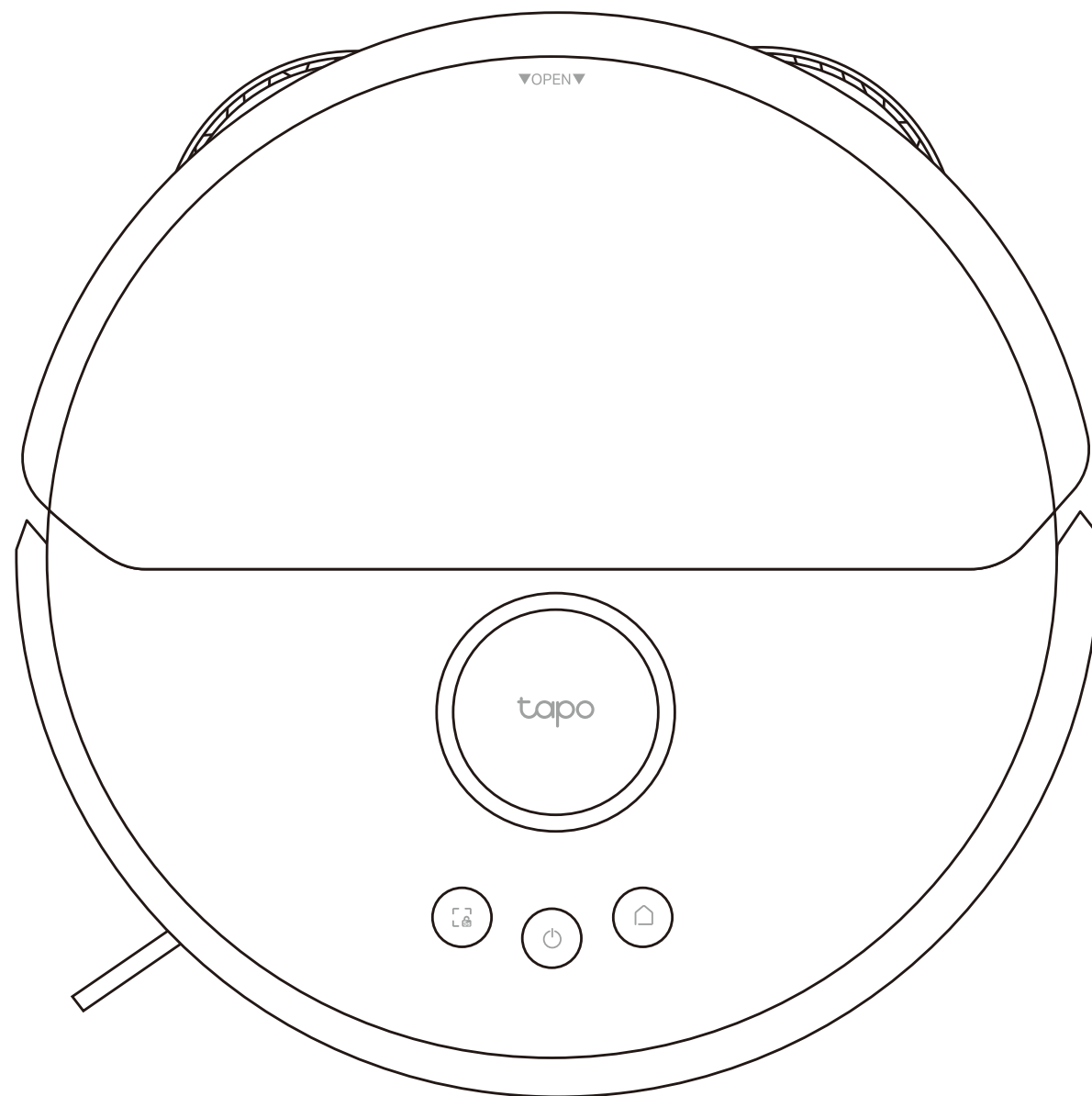
- Wireless Connection: 802.11b/g/n, 2.4 GHz Wi-Fi; Bluetooth 4.2 (Only for setup)
- Rated Input Voltage: 100-120 VAC, 50/60 Hz
- Max Charging Power Consumption: 27 W (DC20 V 1.35 A)
- Max Working Power Consumption:
 - Robot Vacuum: 75 W
 - Auto-Empty Dock: 600 W
 - Hot Water Mop Washing: 880 W
- Third-Party Compatibility: Amazon Alexa, Google Home, Matter*



Robot Vacuum & Mop + All-in-One Dock Tapo RV50 Pro Omni

// Overview

Robot Vacuum



Power/Clean

- Press and hold for 3 seconds: Turn on/off the robot vacuum.
- Press once: Start/pause cleaning.



Dock

- Return to the dock to charge.
- Empty the dustbin when docked.



Spot Cleaning/Child Lock

- Press once: Start spot cleaning.
- Press and hold for 5 seconds: Turn on/off the child lock.



+ Combo Button

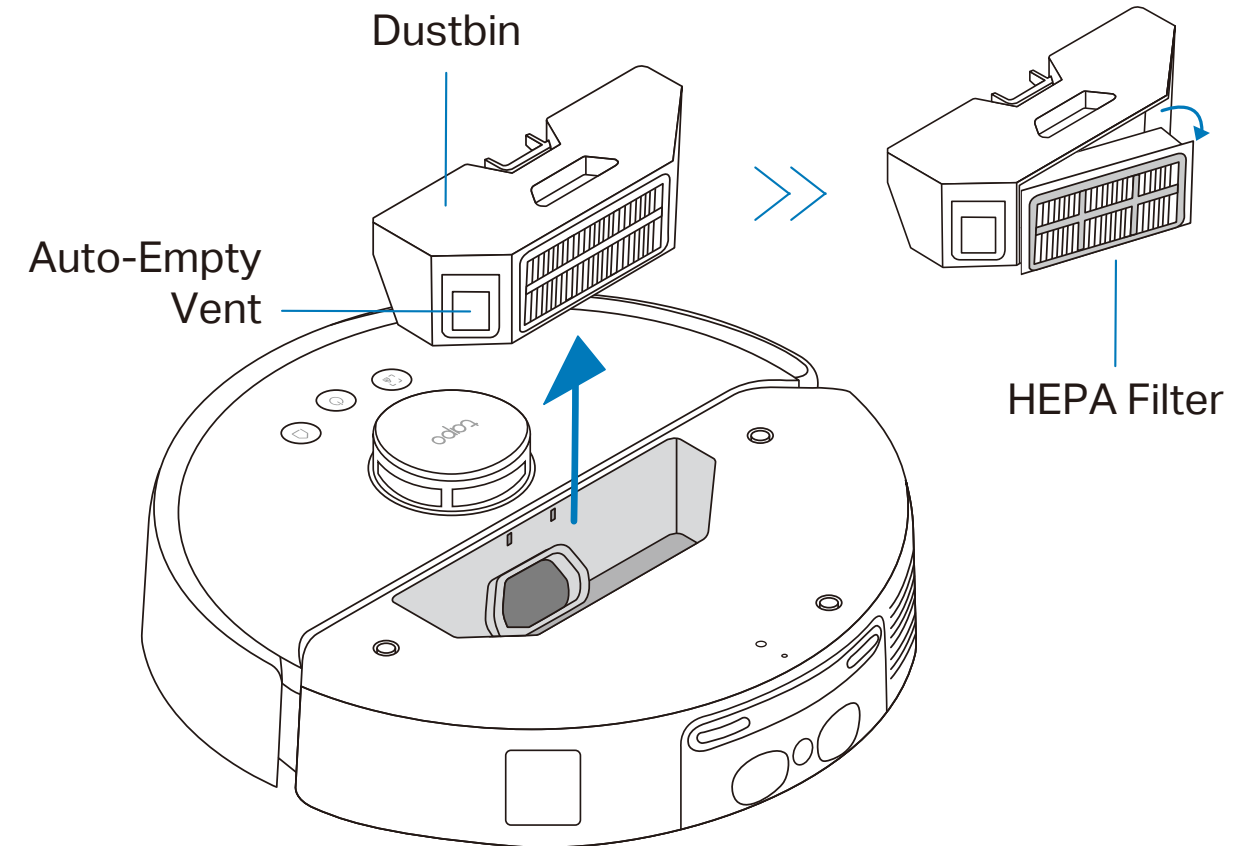
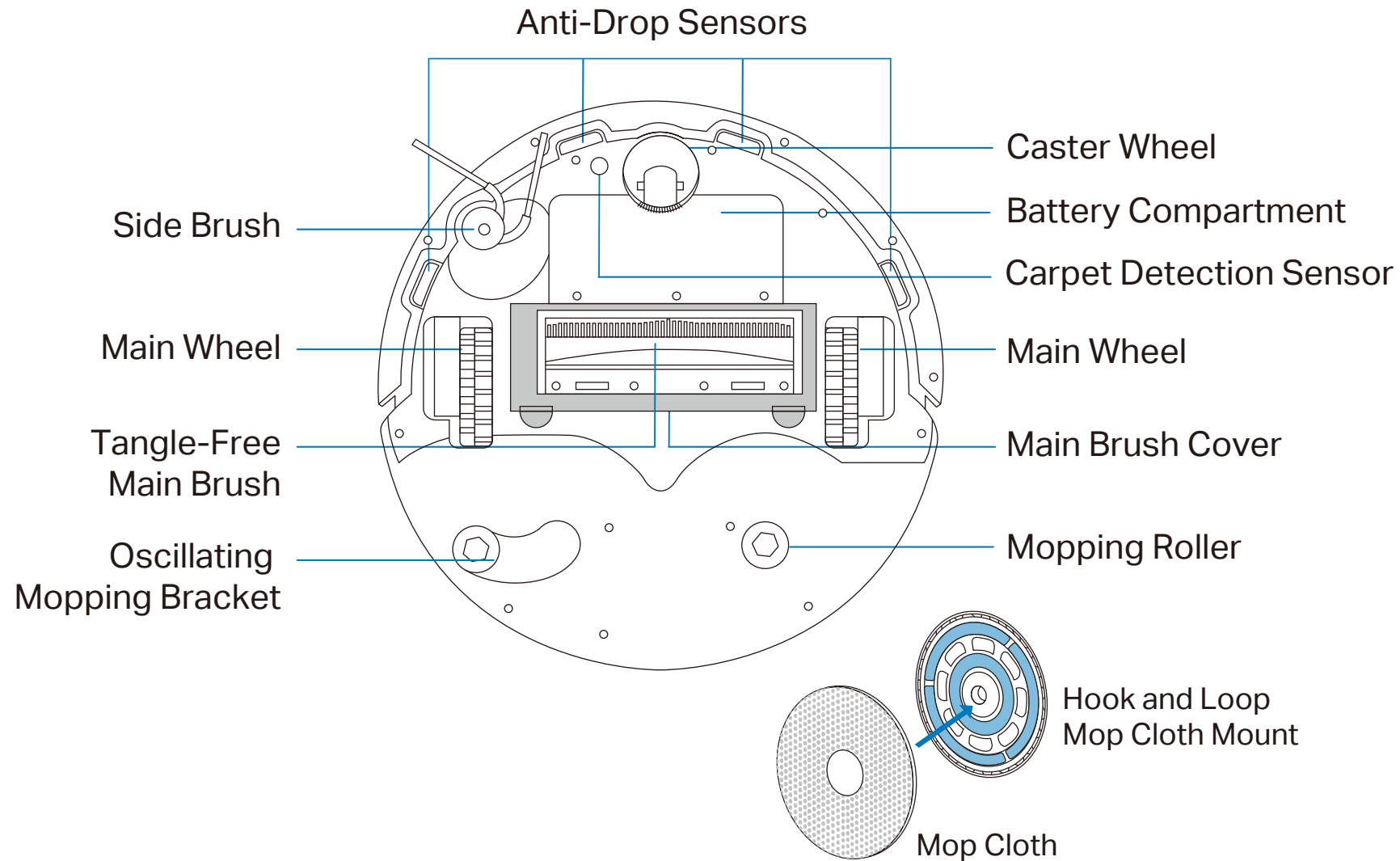
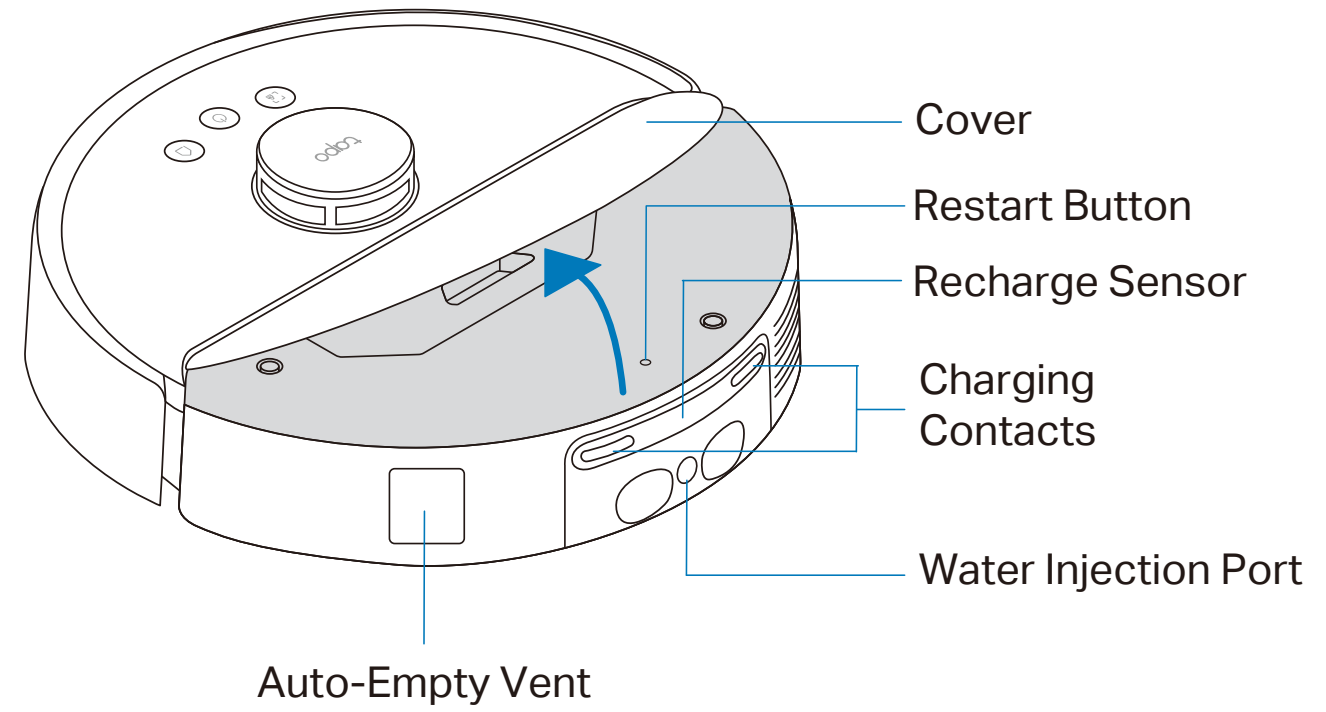
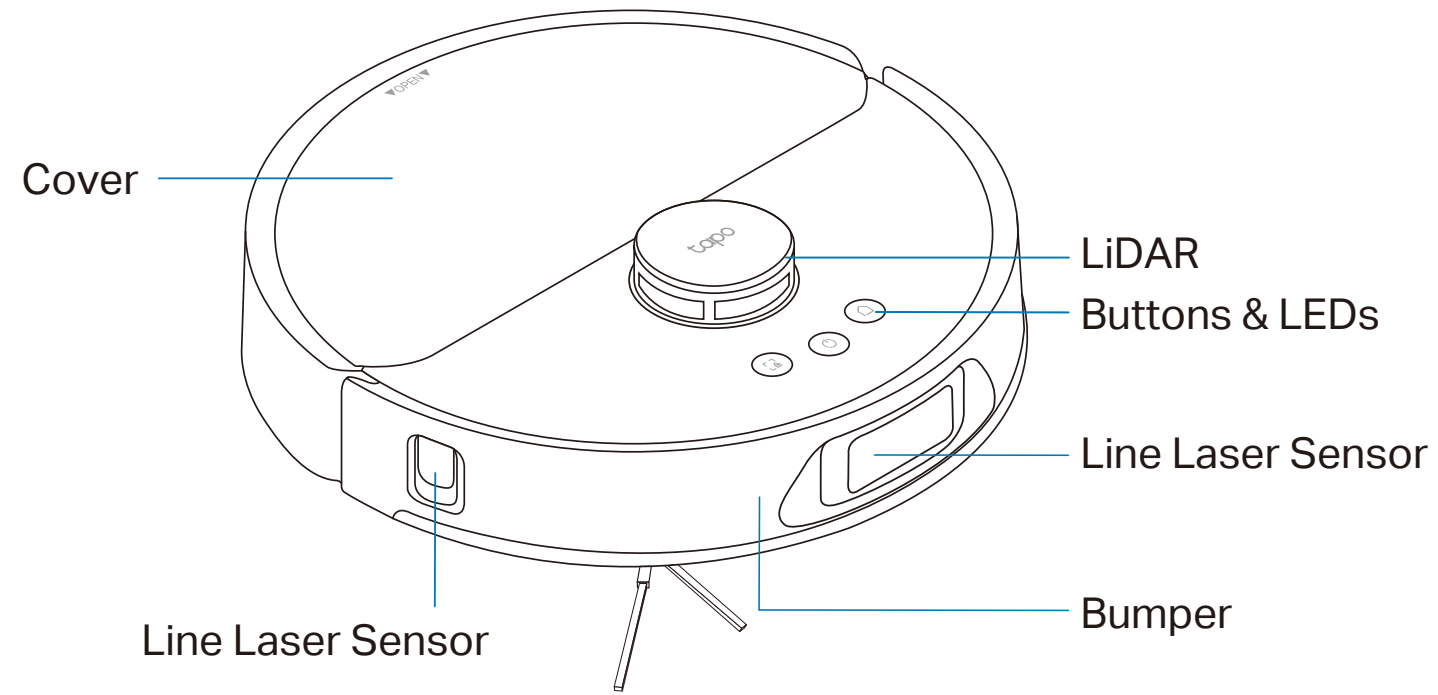
- Press and hold for 5 seconds:
Enter setup mode; reset Wi-Fi.
- Press and hold for 10 seconds:
Restore to factory default settings.



LED Status

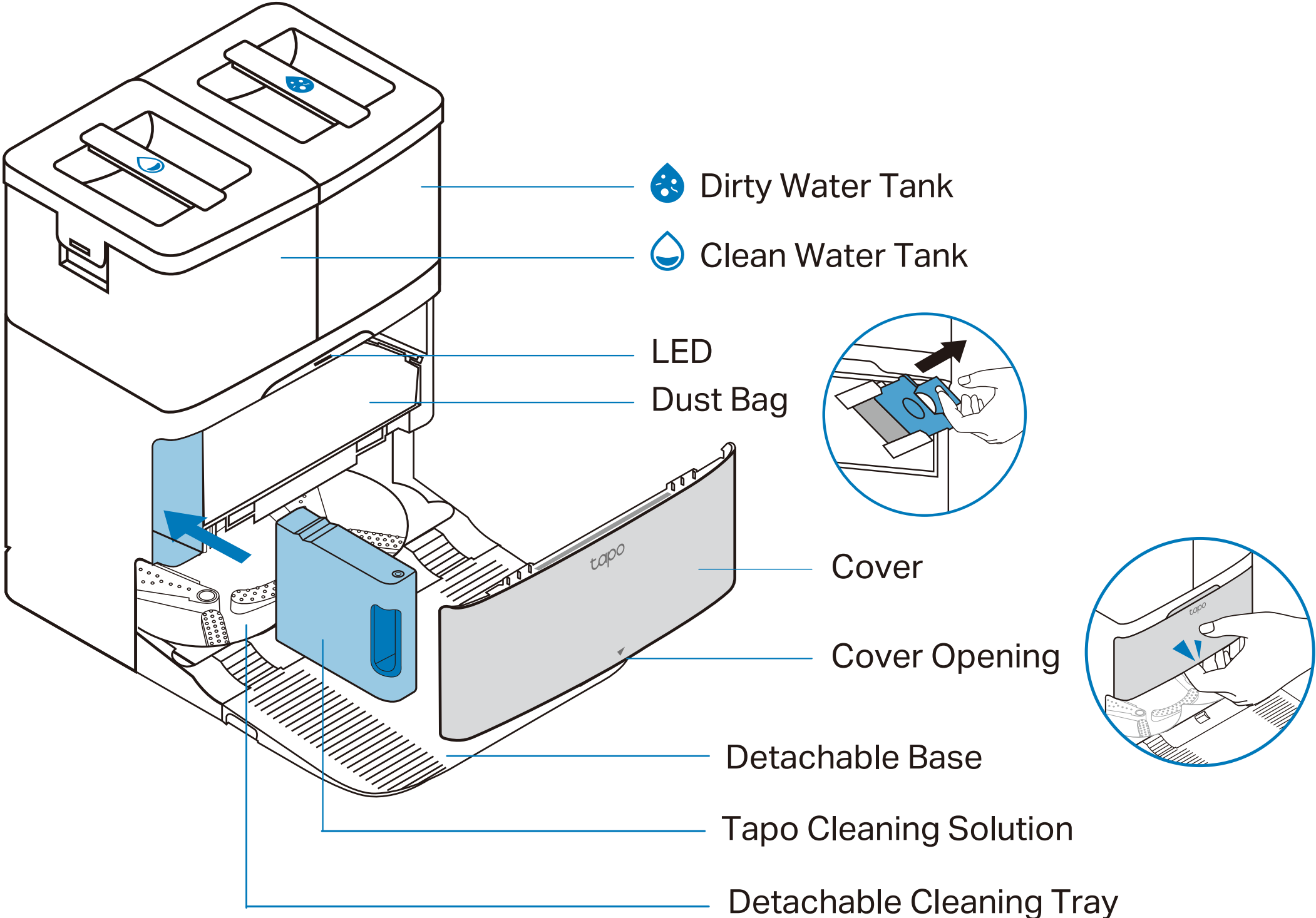
- Pulse/Flash Red: Battery level < 15%; Error
- Pulse Orange: Battery level between 15% and 80% (Charging)
- Pulse Green : Battery level > 80% (Charging); Turning on
- Solid Green: Fully charged

Overview



Overview

All-in-One Dock



†Before connecting to the Matter app, users need to set up the product in the Tapo app.
Specifications are subject to change without notice. All brands and product names are trademarks or registered trademarks of their respective holders.
For support and warranty, please visit: <https://www.tapo.com/support>
@2026 TP-Link